

The **PR8028** is an air temperature sensor, specially designed for automotive climate control applications.

Built in a Deutsch water tight connector, PR8028 is intended for interior and exterior, automotive or industrial applications use.

Two options are available for this product. Option 1 operational temperature range is -40°C to $+85^{\circ}\text{C}$. It operates under regulated voltage 5 to 10V. For option 2, the operational temperature range is -17°C to $+80^{\circ}\text{C}$. It operates under regulated voltage 10 to 30V.



Technical and physical description

PR8028-00

- **Supply voltage typical** : 5V to 10V ⁽¹⁾
- **Temperature sensing range**: -40°C to 70°C at 5V and -40°C to 85°C at 10V
- **Output signal**: 1.0 to 4.8V at 5V and 1.0 to 5.3V at 10V
- **Output scale factor**: $34.6\text{mV} / ^{\circ}\text{C}$
- **Accuracy**: better than 2.0°C at room temperature
- **Response time in still air**: 90% of the final value in 2 minutes

⁽¹⁾Warning: There is no protection on the power supply on this product. Be careful not to exceed 10V. Regulated supply is recommended.

PR8028-01

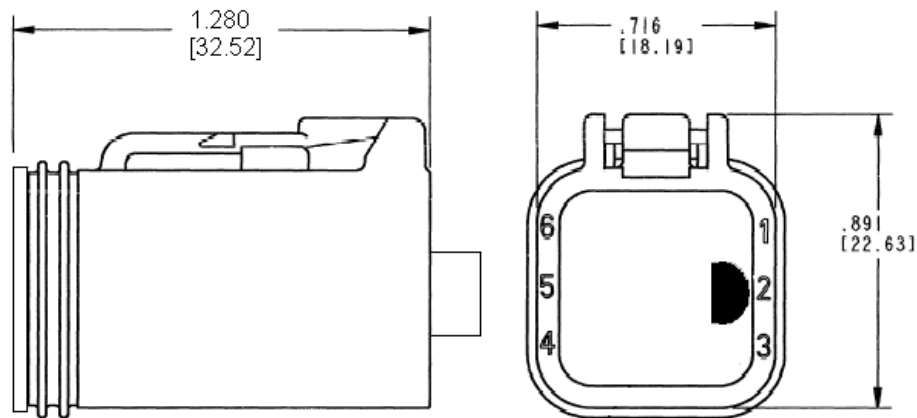
- **Supply voltage typical** : 10 to 30V ⁽²⁾
- **Temperature sensing range**: -17°C to 80°
- **Output signal**: 0 to 9.7V
- **Output scale factor**: $100\text{mV} / ^{\circ}\text{C}$
- **Accuracy**: better than 1.7°C at room temperature
- **Response time in still air**: 90% of the final value in 2 minutes

⁽²⁾Warning: There is no protection on the power supply on this product. Be careful not to exceed 30V. Regulated supply is recommended.

Ordering information	Part Number
Temperature Sensor	PR8028-00
Temperature Sensor	PR8028-01

For more information, contact our sales department.

Dimensions and Pin Assignment



Note: Measurements in inches [mm].

J1 pin name			
Pin name	#	Pin name	#
VREG +	1	OUT	4
n/c	2	n/c	5
GND	3	n/c	6

Mating Connections

	J1
Description	Power and signal Connector
Positions	6
Type	Female
Manufacturer	Deutsch
Mating parts available from PRAN	CONNECTOR: DT04-6P
	TERMINAL: 0460-202-16141
	WEDGE LOCK: W6P